

# HZG.25

geeignet für Baggerdienstgewichte  
von 10,0 - 17,0 t

operating weight of excavator :  
10,0 - 17,0 t

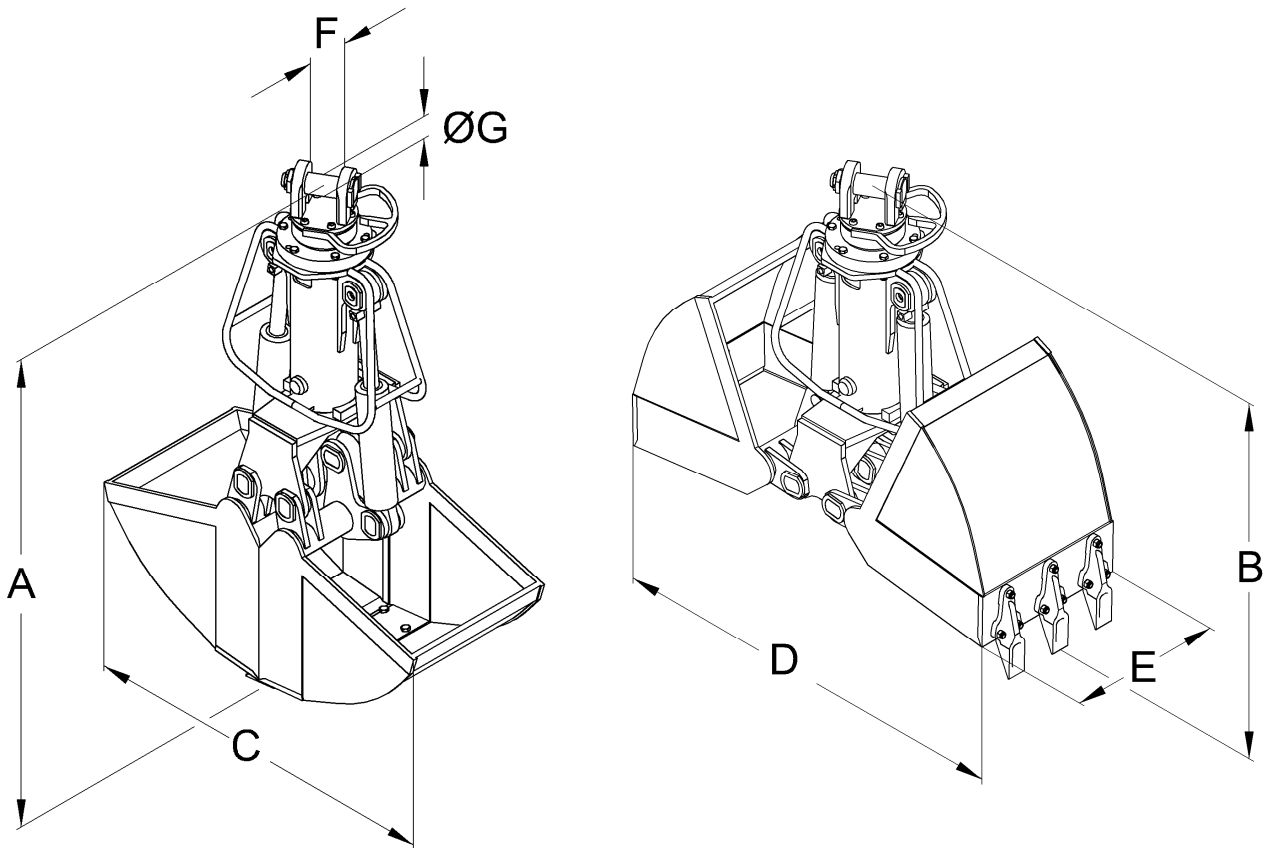
## Typenblatt / Specification Sheet

### PEINER Hydraulik-Zweischalengreifer Typ HZG.25

Greifer für Hydraulikbagger, Schüttdichte bis 2,6 t/m<sup>3</sup>

### PEINER Hydraulic Clamshell Grab Type HZG.25

Grab for hydraulic excavator, piled density up to 2,6 t/m<sup>3</sup>



| Bauart und Baugröße<br>Type and size | Greiferinhalt<br>Grab capacity | Eigen-gewicht<br>Dead weight | Abmessungen in mm<br>Dimensions in mm |      |      |      |     |     |    | Anzahl der Zähne<br>Number of teeth | max. Trag-fähigkeit<br>max. lifting capacity |
|--------------------------------------|--------------------------------|------------------------------|---------------------------------------|------|------|------|-----|-----|----|-------------------------------------|--|
|                                      |                                |                              | A                                     | B    | C    | D    | E   | F   | G  |                                     |  |
| HZG                                  | I                              | kg                           |                                       |      |      |      |     |     |    |                                     | t  |
| 160.25                               | 160                            | 600                          | 1850                                  | 1360 | 1420 | 1720 | 330 | 115 | 70 | 3                                   | 4,0  |
| 220.25                               | 220                            | 615                          | 1850                                  | 1360 | 1420 | 1720 | 400 | 115 | 70 | 3                                   |  |
| 280.25                               | 280                            | 650                          | 1850                                  | 1360 | 1420 | 1720 | 500 | 115 | 70 | 5                                   |  |
| 330.25                               | 330                            | 690                          | 1850                                  | 1360 | 1420 | 1720 | 600 | 115 | 70 | 5                                   |  |
| 370.25                               | 370                            | 750                          | 1850                                  | 1360 | 1420 | 1720 | 700 | 115 | 70 | 7                                   |  |
| 440.25                               | 440                            | 775                          | 1850                                  | 1360 | 1420 | 1720 | 800 | 115 | 70 | 7                                   |  |

Stand 9/01